

ONLEVEL

ZÁBRADLÍ ZE SKLA

COBOLT POINT FIXINGS

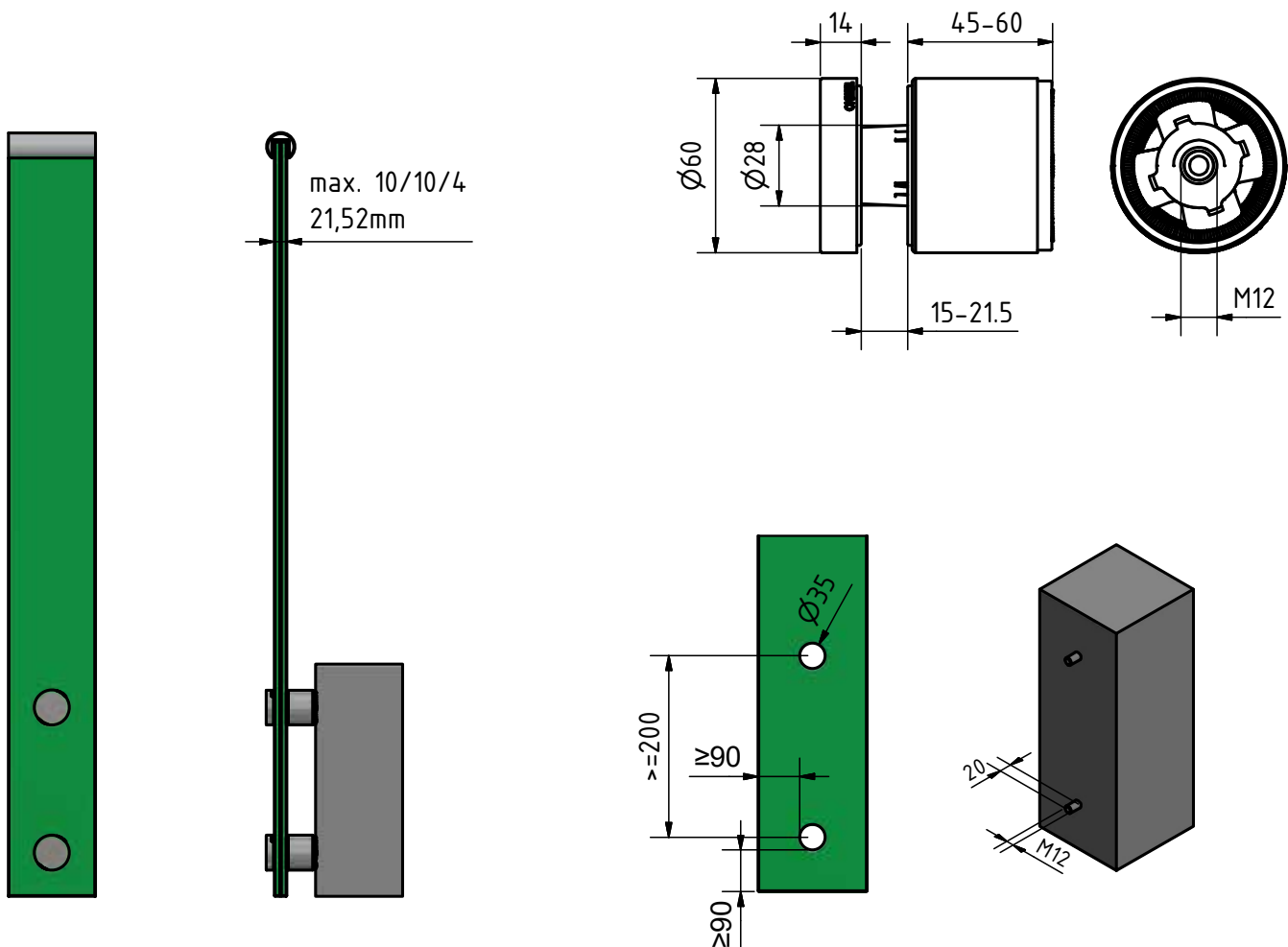
0.5 kN Side Mount

THE GERMAN COBOLT - The natural forces of heavy metal. The first three-dimensional, continuously adjustable glass anchor.

- | The alignment of the already installed glass can be done from the front. That saves so much time!!!
- | Thanks to the unique elliptical rotational fixing, the anchor can be adjusted both vertically and horizontally by up to 5 mm in both directions on the wall.
- | Horizontal adjustment +/-5mm. For a height of 1000 mm, this results in an adjustment option of 50 mm.
- | In addition, the wall clearance is variable. It can be adjusted between 45-60 mm.
- | With a diameter of 60 mm, the bombshell among point fixings is ideally suited for medium-heavy applications.
- | And the best is yet to come. Punctual stress concentrations are avoided thanks to the articulated glass support. That's why you are now able to reduce the glass thickness by up to 25% for the same loads compared to standard products.

Essential Features

- | Modern design
- | Available with $\varnothing 60$
- | Available in stainless steel V4A
- | Installation between two glass panes
- | 15 - 21.52 mm glass
- | 14 mm glass distance





The adaptor allows a space of 5 mm in all directions
Adjustable on the wall

The incorrect positioning of the anchor can be compensated

45 - 60 mm
adjustable wall clearance

No punctual
stress concentrations
on the glass pane

THE GERMAN COBOLT | 0.36 KN SIDE MOUNT

COBOLT, Point fixing Ø 60 mm, adjustable



| Finish outside: V4A
| Sales unit: 2 pieces

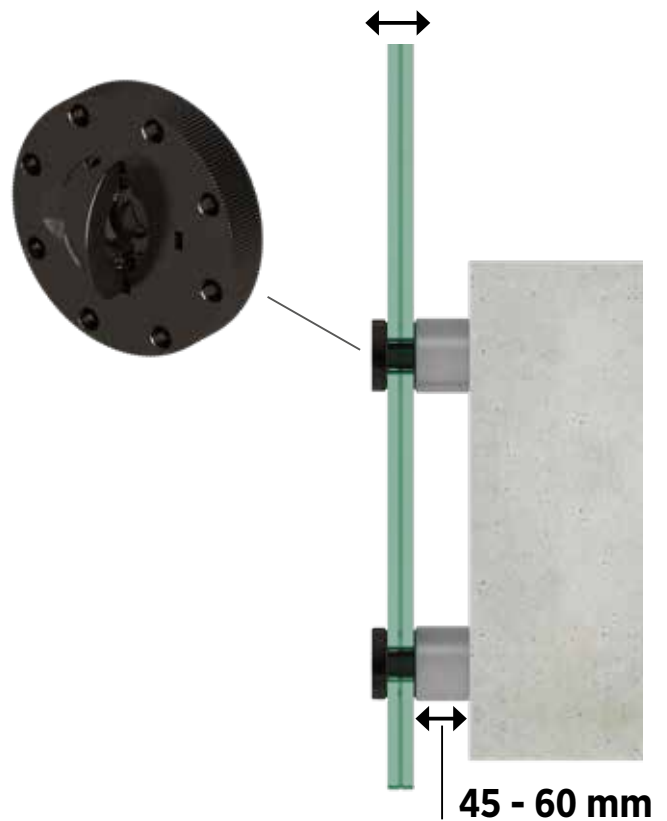
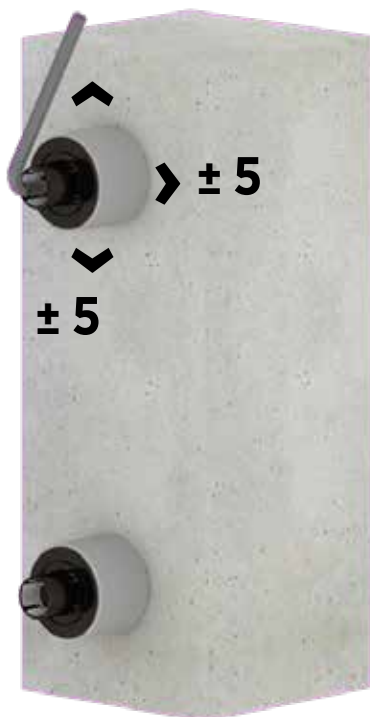
Model 2660	V4A
Depth	Art. no.
45 - 55 mm	10.2660.500.31

COBOLT Tool



| Suitable for ONLEVEL COBOLT
| Pin distance: 50mm
| Pin diameter: 4mm
| Sales unit: 1 piece

Model 0100	Zinc-plated steel
	Art. no.
	90.0100.107.00





TL-20 | POINT FIXINGS

Side Mount

One Point Goes To...

ONLEVEL point fixing systems make the difference. ONLEVEL always attaches great importance to simple mounting and an unobtrusive design. With our point fixings, realising constructive special solutions becomes very easy. Here as well, practical relevance is our maxim. Tested in innumerable projects. For this purpose, our products are tested for different requirements by independent institutions.

Essential Features

- | Modern design
- | Available in V2A (inside) and stainless steel V4A (outside)
- | Integrated multifunctional sophisticated chamber for enabling larger drilling distances





For simple constructions
in individual applications



Available with
different diameters

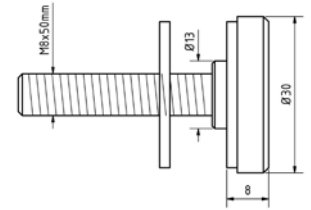
Adjustable versions
available

TL-20 | SIDE MOUNT

Point fixing Ø 30 mm



- | Finish inside: V2A
- | Finish outside: V4A
- | These adaptors are not suitable as a fall protection
- | Sales unit: 2 piece

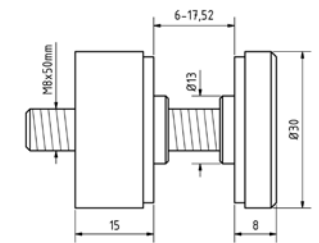


Model 2030	V2A (inside)	V4A (outside)
Depth	Art. no.	Art. no.
20 mm	10.2030.200.21	10.2030.200.31

Point fixing Ø 30 mm



- | Finish inside: V2A
- | Finish outside: V4A
- | These adaptors are not suitable as a fall protection
- | Sales unit: 2 piece

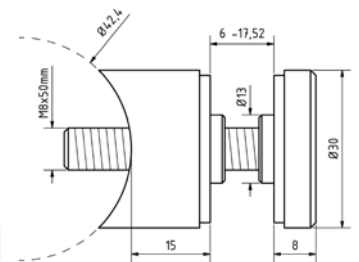


Model 2230	V2A (inside)	V4A (outside)
	Art. no.	Art. no.
	10.2230.000.21	10.2230.000.31

Point fixing Ø 30 mm



- | Connector: round 42.4 mm
- | Finish inside: V2A
- | Finish outside: V4A
- | These adaptors are not suitable as a fall protection
- | Sales unit: 2 piece

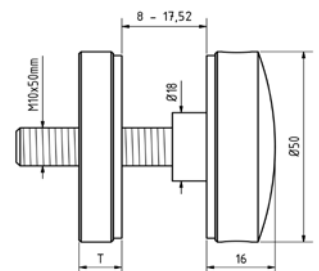


Model 2030	V2A (inside)	V4A (outside)
	Art. no.	Art. no.
	10.2030.420.21	10.2030.420.31

Point fixing Ø 50 mm



- | Finish inside: V2A
- | Finish outside: V4A
- | Sales unit: 2 piece



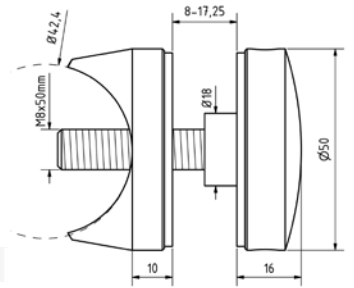
Model 2050	V2A (inside)	V4A (outside)
Depth	Art. no.	Art. no.
10 mm	10.2050.100.21	10.2050.100.31
20 mm	10.2050.200.21	10.2050.200.31
30 mm	10.2050.300.21	10.2050.300.31
40 mm	10.2050.400.21	10.2050.400.31
50 mm	10.2050.500.21	10.2050.500.31

TL-20 | SIDE MOUNT

Point fixing Ø 50 mm



- | Connector: round 42.4 mm
- | Finish inside: V2A
- | Finish outside: V4A
- | Sales unit: 2 piece

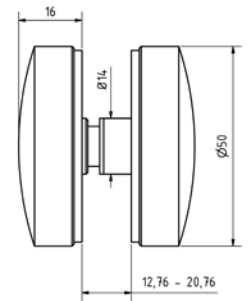


Model 2050	V2A (inside)	V4A (outside)
	Art. no.	Art. no.
	10.2050.420.21	10.2050.420.31

Point fixing Ø 50 mm



- | Finish inside: V2A
- | Finish outside: V4A
- | Sales unit: 2 piece

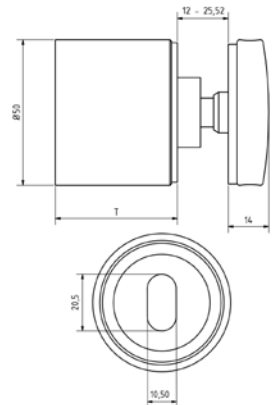


Model 2850	V2A (inside)	V4A (outside)
	Art. no.	Art. no.
	10.2850.000.21	10.2850.000.31

Point fixing Ø 50 mm, adjustable



- | Finish inside: V2A
- | Finish outside: V4A
- | Sales unit: 2 piece

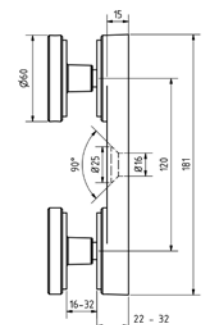


Model 2550	V2A (inside)	V4A (outside)
Depth	Art. no.	Art. no.
30 mm	10.2550.300.21	10.2550.300.31
40 mm	10.2550.400.21	10.2550.400.31
50 mm	10.2550.500.21	10.2550.500.31

Point fixings



- | Distance to the wall 15 mm
- | Finish outside: V4A
- | Height: 181 mm
- | Distance between drill holes: 120 mm
- | Sales unit: 2 pieces



Model 2160	V2A (inside)	V4A (outside)
Diameter	Art. no.	Art. no.
60	10.2160.100.21	10.2160.100.31

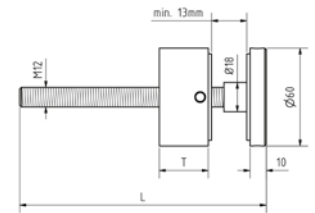
TL-20 | SIDE MOUNT

Point fixing Ø 60 mm



| Finish inside: V2A
| Finish outside: V4A
| Sales unit: 2 piece

Model 2060	V2A (inside)	V4A (outside)
Depth	Art. no.	Art. no.
10 mm	10.2060.100.21	10.2060.100.31
20 mm	10.2060.200.21	10.2060.200.31
30 mm	10.2060.300.21	10.2060.300.31
40 mm	10.2060.400.21	10.2060.400.31
50 mm	10.2060.500.21	10.2060.500.31

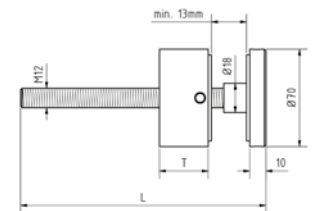


Point fixing Ø 70 mm



| Finish inside: V2A
| Finish outside: V4A
| Sales unit: 2 piece

Model 2070	V2A (inside)	V4A (outside)
Depth	Art. no.	Art. no.
10 mm	10.2070.100.21	10.2070.100.31
20 mm	10.2070.200.21	10.2070.200.31
30 mm	10.2070.300.21	10.2070.300.31
40 mm	10.2070.400.21	10.2070.400.31
50 mm	10.2070.500.21	10.2070.500.31

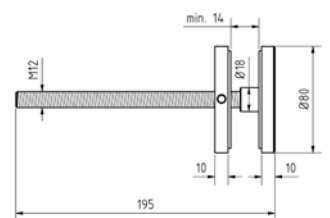


Point fixings Ø 80 mm



| Finish inside: V2A
| Finish outside: V4A
| Sales unit: 2 piece

Model 2080	V2A (inside)	V4A (outside)
	Art. no.	Art. no.
	10.2080.100.21	10.2080.100.31



Trans Level Tool

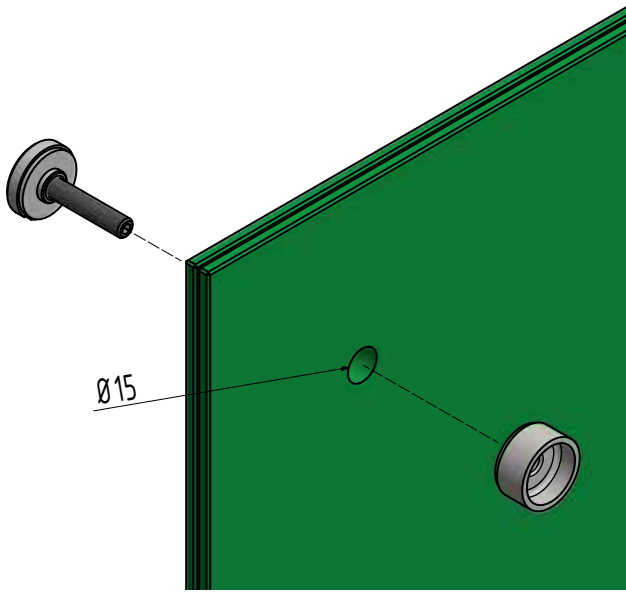


| Suitable for Onlevel TL-20 systems
| Sales unit: 1 piece

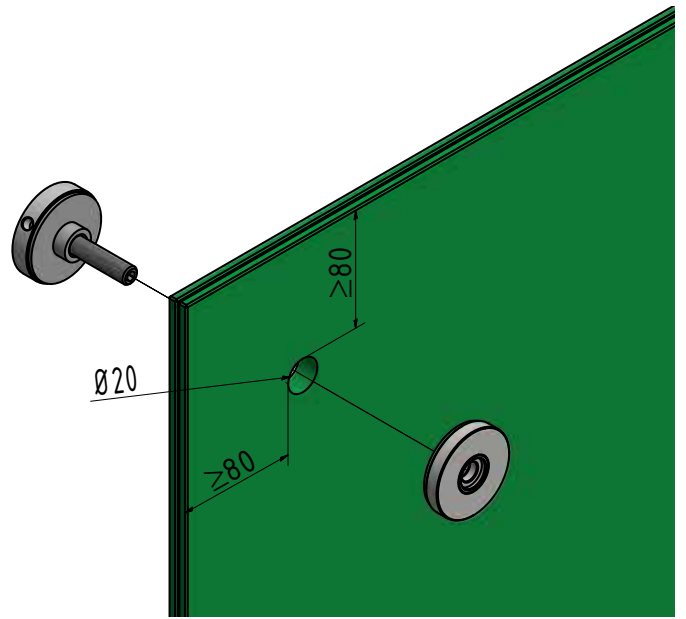
Model 0201	Zinc-plated steel
Diameter	Art. no.
20	93.0201.020.00
30	93.0201.030.00
40	93.0201.040.00
60	93.0201.060.00
70	93.0201.070.00
80	93.0201.080.00

TL-20 | SIDE MOUNT

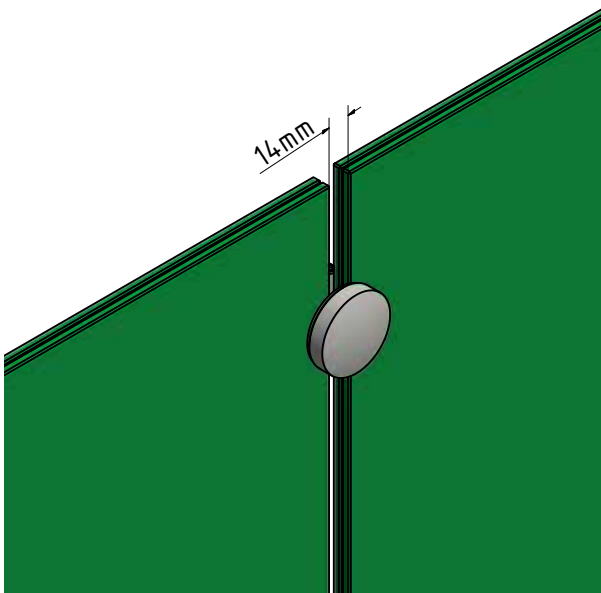
TL-2030/2230



TL-2050

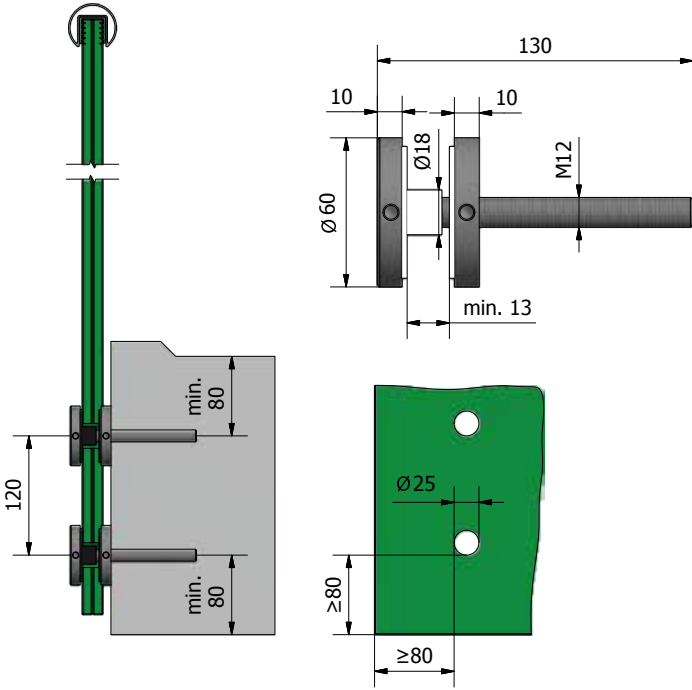


TL-2850

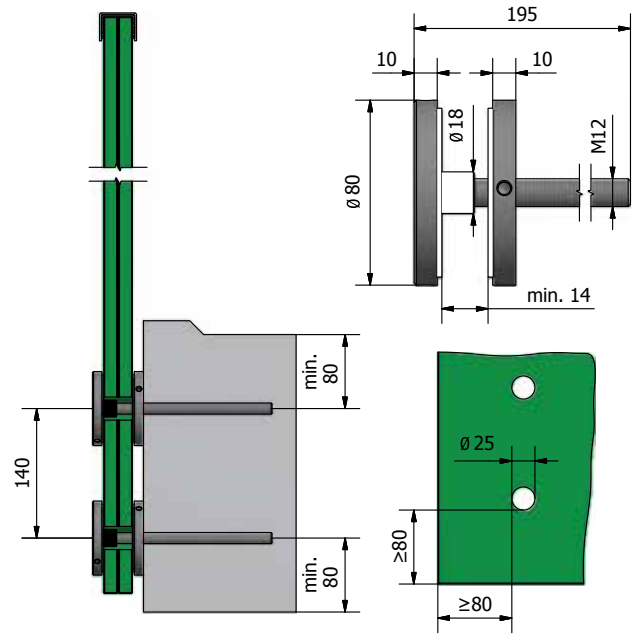


TL-20 | SIDE MOUNT

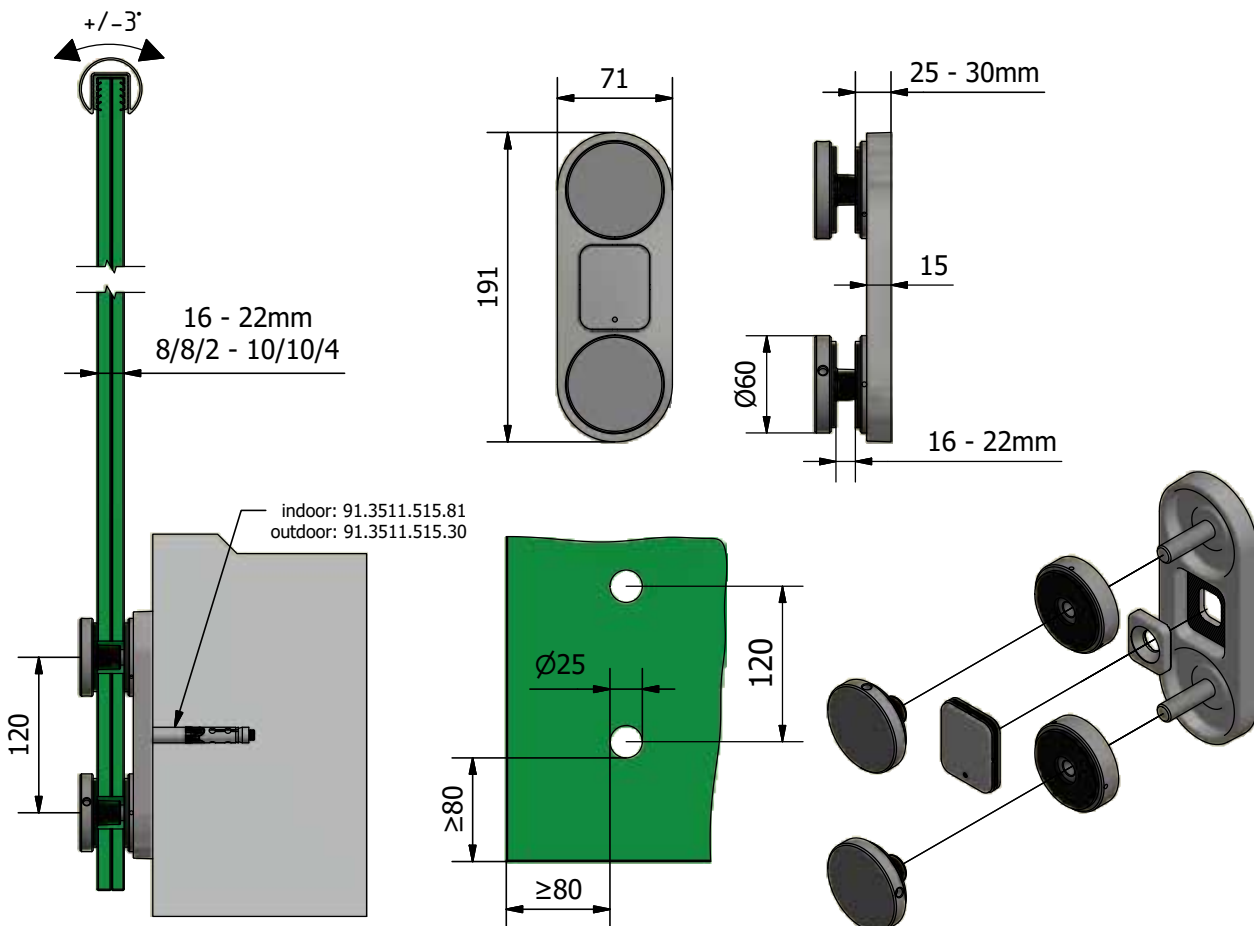
TL-2060



TL-2080



TL-2160







Chlebny, s. r. o.

Jana Palacha / Devotyho 1625

530 02 Pardubice

Česká republika

t +420 46 66 34 170

e info@chlebny.cz

i www.zabradlizeska.cz