

ONLEVEL

ZÁBRADLÍ ZE SKLA



chlebny

# TL-20 | POINT FIXINGS

Side Mount

## One Point Goes To...

ONLEVEL point fixing systems make the difference. ONLEVEL always attaches great importance to simple mounting and an unobtrusive design. With our point fixings, realising constructive special solutions becomes very easy. Here as well, practical relevance is our maxim. Tested in innumerable projects. For this purpose, our products are tested for different requirements by independent institutions.



**TESTED**  
according to  
**BS6180**



For simple constructions  
in individual applications



Available with  
different diameters

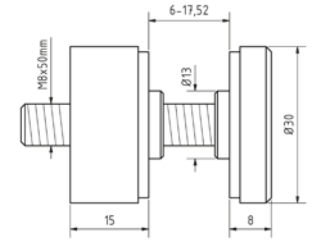
Adjustable versions  
available

# TL-20 | SIDE MOUNT

## Point fixing Ø 30 mm



- | Finish inside: V2A
- | Finish outside: V4A
- | These adaptors are not suitable as a fall protection
- | Sales unit: 2 pieces

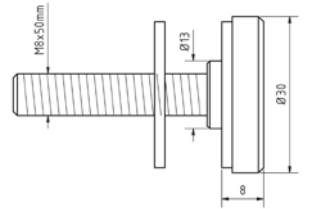


Model 2030	AISI 304 (inside)	AISI 316 (outside)
	Art. no.	Art. no.
	10.2030.200.21	10.2030.200.31

## Point fixing Ø 30 mm



- | Finish inside: V2A
- | Finish outside: V4A
- | These adaptors are not suitable as a fall protection
- | Sales unit: 2 pieces

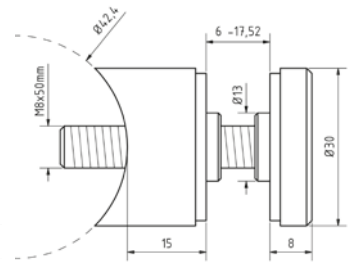


Model 2230	AISI 304 (inside)	AISI 316 (outside)
	Art. no.	Art. no.
	10.2230.000.21	10.2230.000.31

## Point fixing Ø 30 mm



- | Connector: round 42.4 mm
- | Finish inside: V2A
- | Finish outside: V4A
- | These adaptors are not suitable as a fall protection
- | Sales unit: 2 pieces

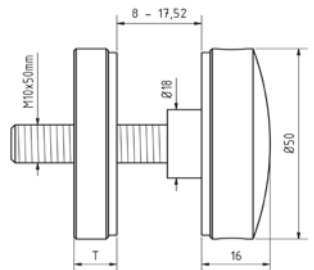


Model 2030	AISI 304 (inside)	AISI 316 (outside)
	Art. no.	Art. no.
	10.2030.420.21	10.2030.420.31

## Point fixing Ø 50 mm



- | Finish inside: V2A
- | Finish outside: V4A
- | Sales unit: 2 pieces



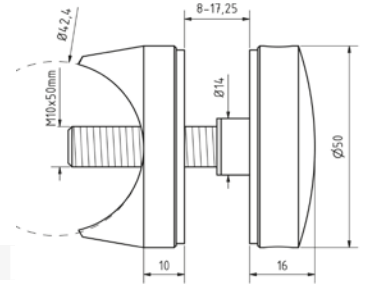
Model 2050	AISI 304 (inside)	AISI 316 (outside)
Depth	Art. no.	Art. no.
10 mm	10.2050.100.21	10.2050.100.31
20 mm	10.2050.200.21	10.2050.200.31
30 mm	10.2050.300.21	10.2050.300.31
40 mm	10.2050.400.21	10.2050.400.31
50 mm	10.2050.500.21	10.2050.500.31

# TL-20 | SIDE MOUNT

## Point fixing Ø 50 mm



- | Connector: round 42.4 mm
- | Finish inside: V2A
- | Finish outside: V4A
- | Sales unit: 2 pieces

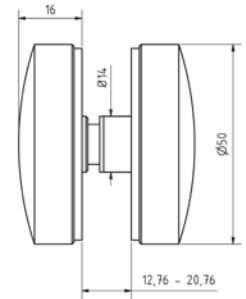


Model 2050	AISI 304 (inside)	AISI 316 (outside)
	Art. no.	Art. no.
	10.2050.420.21	10.2050.420.31

## Point fixing Ø 50 mm



- | Finish inside: V2A
- | Finish outside: V4A
- | Sales unit: 2 pieces

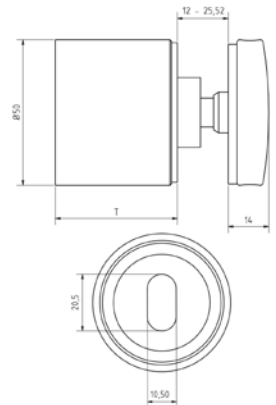


Model 2850	AISI 304 (inside)	AISI 316 (outside)
	Art. no.	Art. no.
	10.2850.000.21	10.2850.000.31

## Point fixing Ø 50 mm, adjustable



- | Finish inside: V2A
- | Finish outside: V4A
- | Sales unit: 2 pieces

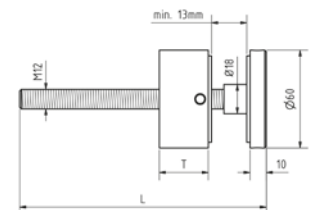


Model 2550	AISI 304 (inside)	AISI 316 (outside)
Depth	Art. no.	Art. no.
30 mm	10.2550.300.21	10.2550.300.31
40 mm	10.2550.400.21	10.2550.400.31
50 mm	10.2550.500.21	10.2550.500.31

## Point fixing Ø 60 mm, 0.74 kN



- | Finish inside: V2A
- | Finish outside: V4A
- | Sales unit: 2 pieces



Model 2060	AISI 304 (inside)	AISI 316 (outside)
Depth	Art. no.	Art. no.
10 mm	10.2060.100.21	10.2060.100.31
20 mm	10.2060.200.21	10.2060.200.31
30 mm	10.2060.300.21	10.2060.300.31
40 mm	10.2060.400.21	10.2060.400.31
50 mm	10.2060.500.21	10.2060.500.31

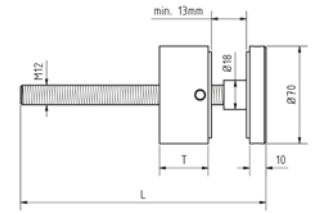
# TL-20 | SIDE MOUNT

## Point fixing Ø 70 mm



| Finish inside: V2A  
 | Finish outside: V4A  
 | Sales unit: 2 pieces

Model 2070	AISI 304 (inside)	AISI 316 (outside)
Depth	Art. no.	Art. no.
10 mm	10.2070.100.21	10.2070.100.31
20 mm	10.2070.200.21	10.2070.200.31
30 mm	10.2070.300.21	10.2070.300.31
40 mm	10.2070.400.21	10.2070.400.31
50 mm	10.2070.500.21	10.2070.500.31

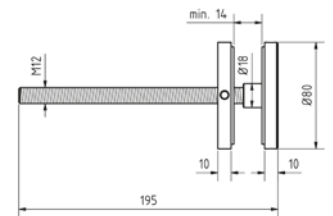


## Point fixings Ø 80 mm



| Finish inside: V2A  
 | Finish outside: V4A  
 | Sales unit: 2 pieces

Model 2080	AISI 304 (inside)	AISI 316 (outside)
	Art. no.	Art. no.
	10.2080.100.21	10.2080.100.31

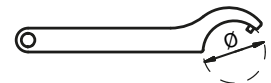


## Trans Level Tool



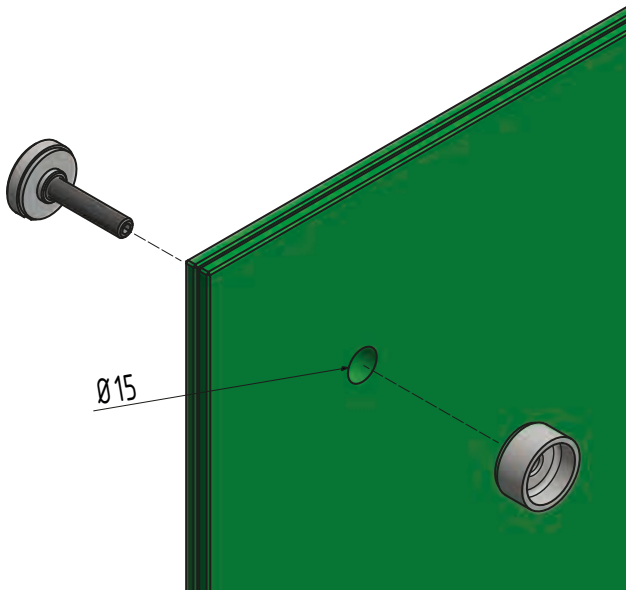
| Suitable for Onlevel TL-20 systems  
 | Sales unit: 1 piece

Model 0201	Zinc-plated steel
Diameter	Art. no.
20	93.0201.020.00
30	93.0201.030.00
40	93.0201.040.00
60	93.0201.060.00
70	93.0201.070.00
80	93.0201.080.00

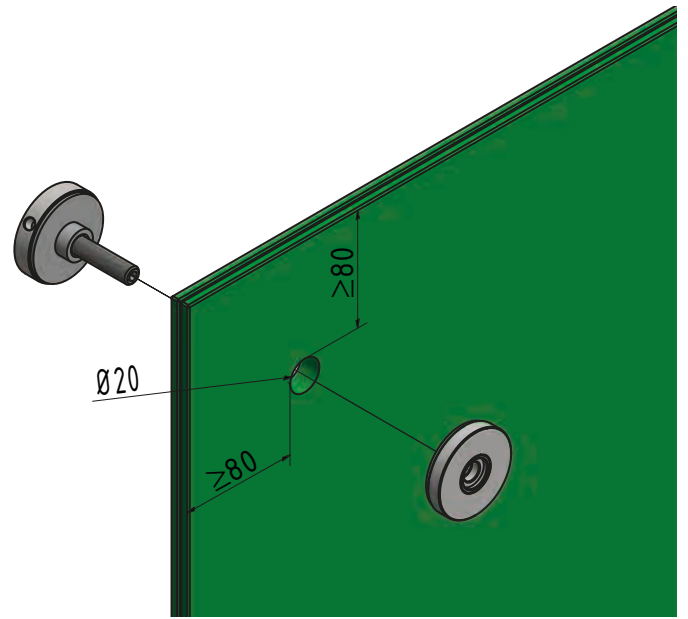


# TL-20 | SIDE MOUNT

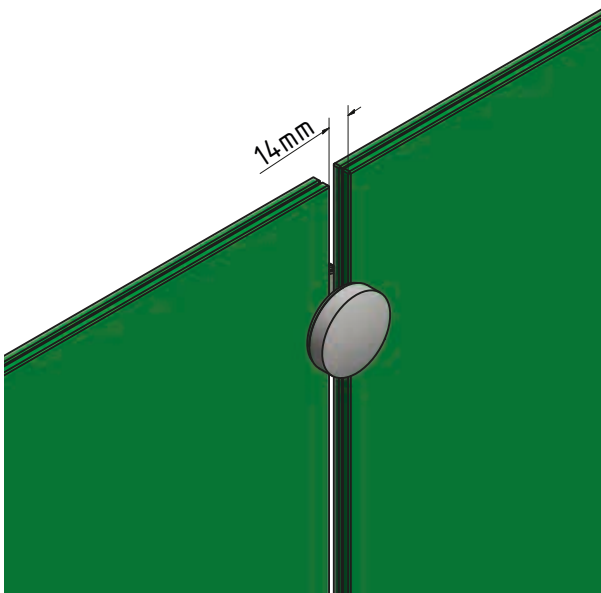
TL-2030/2230



TL-2050



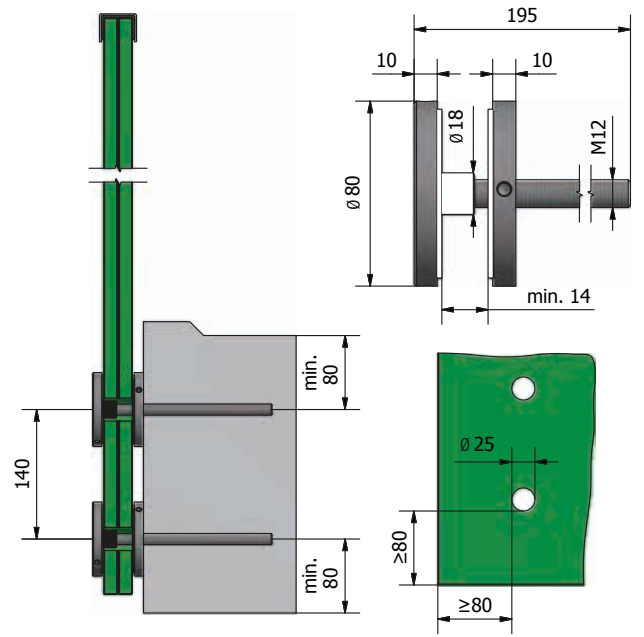
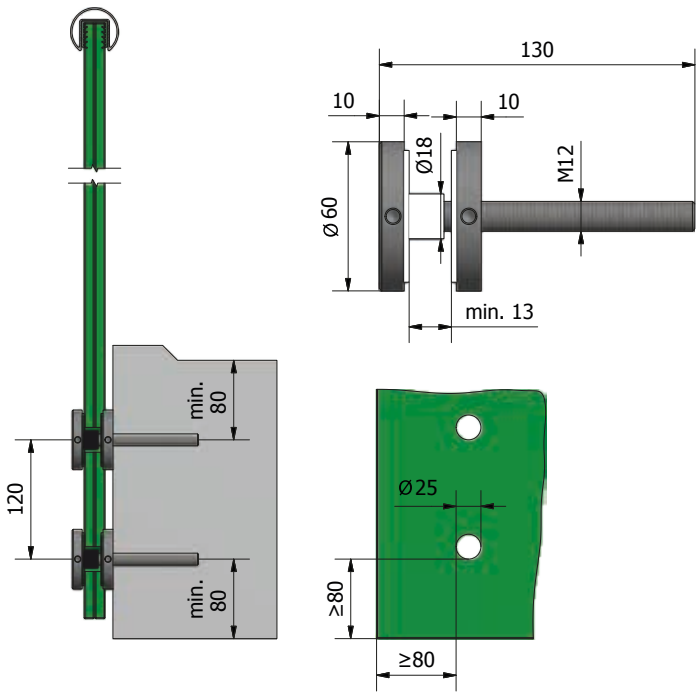
TL-2850



# TL-20 | SIDE MOUNT

TL-2060

TL-2080









Chlebny, s. r. o.

Jana Palacha / Devotyho 1625

530 02 Pardubice

Česká republika

t +420 46 66 34 170

e [info@chlebny.cz](mailto:info@chlebny.cz)

i [www.zabradlizeska.cz](http://www.zabradlizeska.cz)